

**POWERHEAT** 



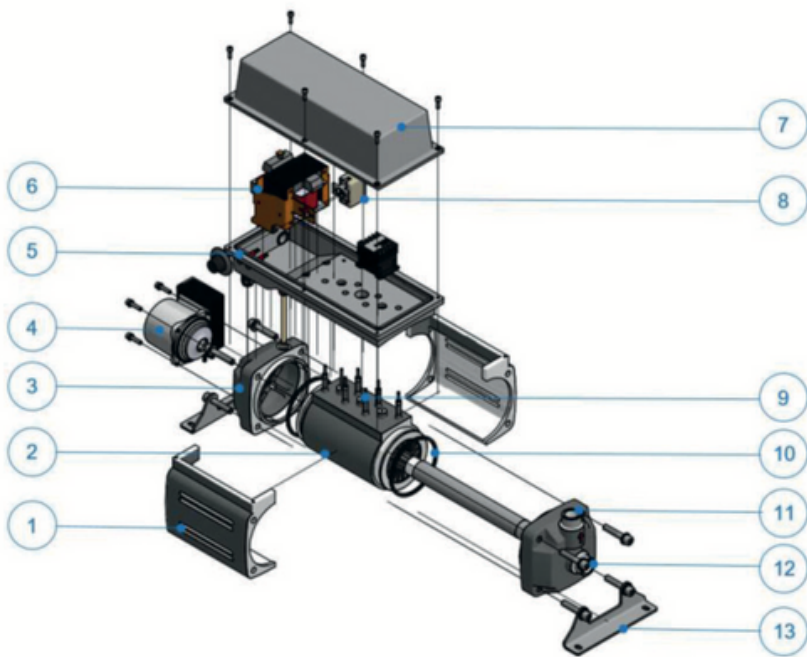
## POWERHEAT

**POWERHEAT is the new style (engine) pre-heater. The compact design, in combination with the chosen materials, integrated pump, adjustable thermostat and all required control and safety features, makes it an exceptional high quality heater.**

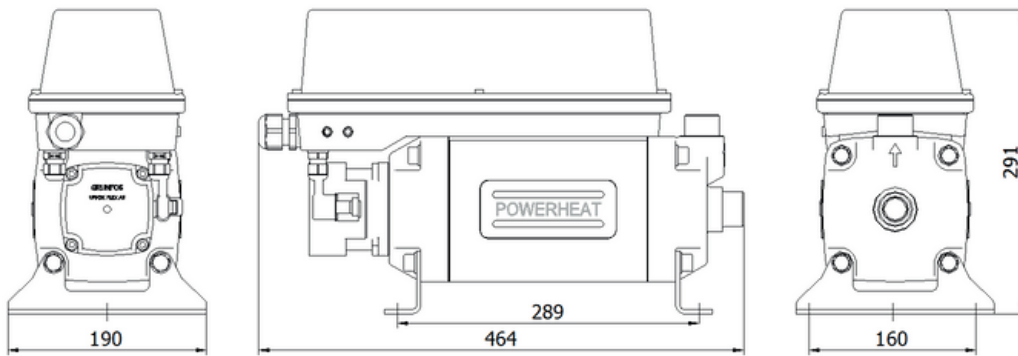
**The heat exchanger is based on a die-cast tubular component in aluminum with a large heating surface. The heating element is embedded in aluminum during the die-casting process so therefore completely corrosion proof and not in direct contact with the coolant or liquids.**

**This means a more effective heating and no negative side effects for the coolant or liquids. In addition the Aluminum AS13 is finished with a Teflon coating.**

POWERHEAT model	PH3400-4500	PH3400-6000	PH3400-7500	PH3400-9000
Voltage range	400 V / 50-60 Hz / 3 Ph	400 V / 50-60 Hz / 3 Ph	400 V / 50-60 Hz / 3 Ph	400 V / 50-60 Hz / 3 Ph
Heat power	4500 W	6000 W	7500 W	9000 W
Thermostat	20-90°C rated 25 A	20-90°C rated 25 A	20-90°C rated 25 A	20-90°C rated 25 A
Safety thermostat	120°C	120°C	120°C	120°C
Max. operating pressure	10 bar / 145 psi	10 bar / 145 psi	10 bar / 145 psi	10 bar / 145 psi
Surface load	3 W/cm <sup>2</sup>	4 W/cm <sup>2</sup>	5 W/cm <sup>2</sup>	6 W/cm <sup>2</sup>
Water inlet and outlet	2 x 1"	2 x 1"	2 x 1"	2 x 1"
Ingress protection	IP 67	IP 67	IP 67	IP 67
Pump power range	52 W / 230 V / 50-60 Hz	52 W / 230 V / 50-60 Hz	52 W / 230 V / 50-60 Hz	52 W / 230 V / 50-60 Hz
Pump flow rate	2.8 m <sup>3</sup> /h @ 3 m	2.8 m <sup>3</sup> /h @ 3 m	2.8 m <sup>3</sup> /h @ 3 m	2.8 m <sup>3</sup> /h @ 3 m
Weight	19.6 kg	19.6 kg	19.6 kg	19.6 kg
Dimensions (LxWxH)	464 x 190 x 291 mm	464 x 190 x 291 mm	464 x 190 x 291 mm	464 x 190 x 291 mm



- 1 Side cover
- 2 Heat exchanger
- 3 Rear cover
- 4 Pump
- 5 Base plate
- 6 Transformer
- 7 Top cover
- 8 Thermostat
- 9 Heating element
- 10 Seal
- 11 Fluid OUT 1"
- 12 Fluid IN 1"
- 13 Support



POWER SUPPLY  
3 x 400V 50Hz

