



Hotstart[®]

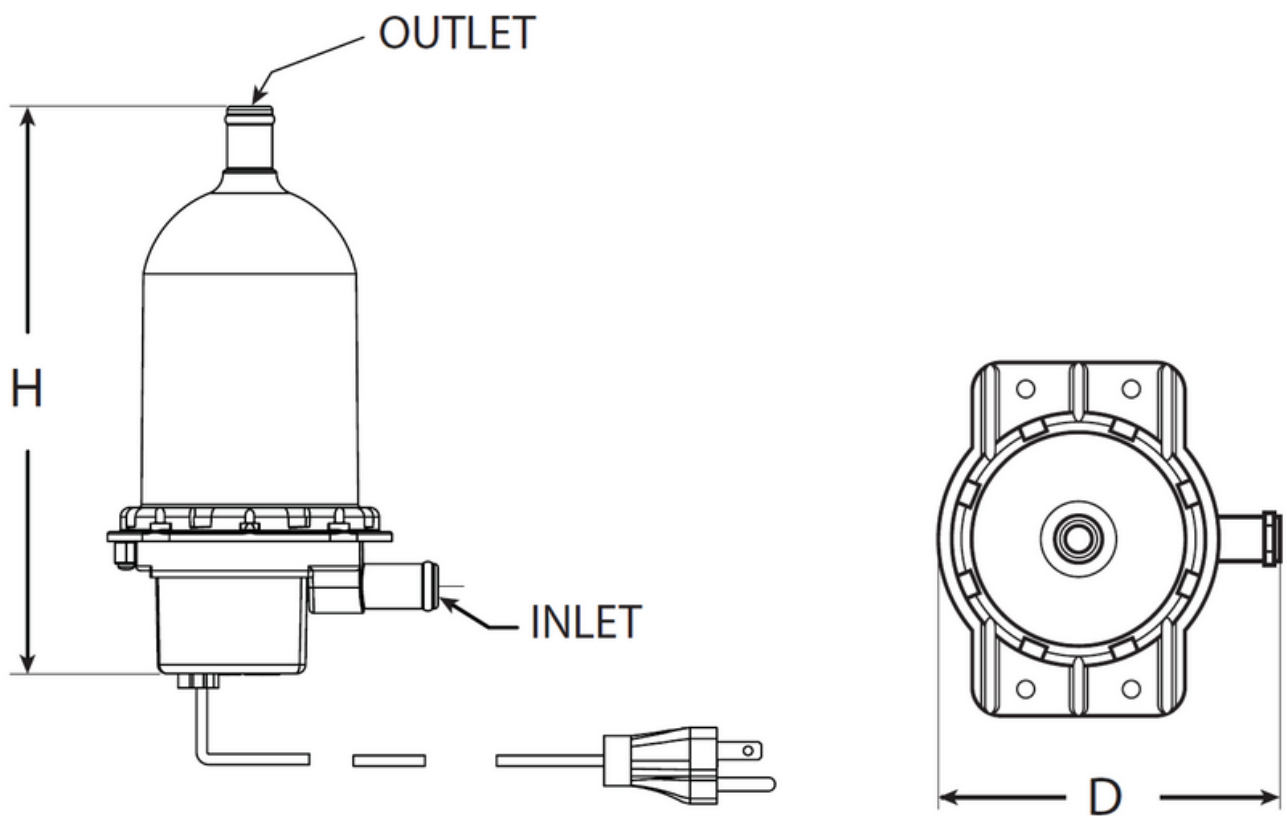
THERMAL MANAGEMENT



TPS engine heater

Hotstart's thermosiphon TPS coolant preheater provides consistent and reliable heating by circulating heated coolant through the engine block. The TPS preheater is specially suitable for diesel and gas engines in stationary, marine, heavy equipment, and truck applications. The TPS heater can be configured for most weather-protected applications and is available with numerous options and voltages.

Specifications			
System		Coolant	
Phase	Single-phase (1 Ø)	Fluid Type	Water; coolant mix (50% water/50% glycol)
Voltage	120V; 240V; 277V	Heat Power	0.5 kW; 1 kW; 1.5 kW; 1.8 kW; 2 kW <i>(2 kW available in 240V only, 1.8 kW available in 120V only)</i>
Ingress	IP41	Temperature Control	Fixed, 100 – 120°F (38 – 49°C)
Tank Material	Polyphenylene Sulfide (PPS)	Maximum Pressure	90 psi (620 kPa)
Heating Element Material	Incoloy 800	Inlet/Outlet	0.625" (16 mm) hose barb
Min./Max. Ambient Temperature	-40 – 104°F (-40 – 40°C)		
Features			
<ul style="list-style-type: none"> • UL-C/US listed • CE-compliant • Easy to install 			



Height (H)	Depth (D)	Weight
7.9"	4.6"	1.7 lb
200 mm	117 mm	771 gr