



CSM HOTflow

Hotstart's CSM HOTflow heating system is a coolant preheater, developed to maintain optimal temperatures for diesel and gas engines in stationary land power, marine, construction equipment, and truck applications. This complete preheater contains a thermostat, pump and all required controls. The CSM model heats engines ranging in size from up to 100 liter displacement.

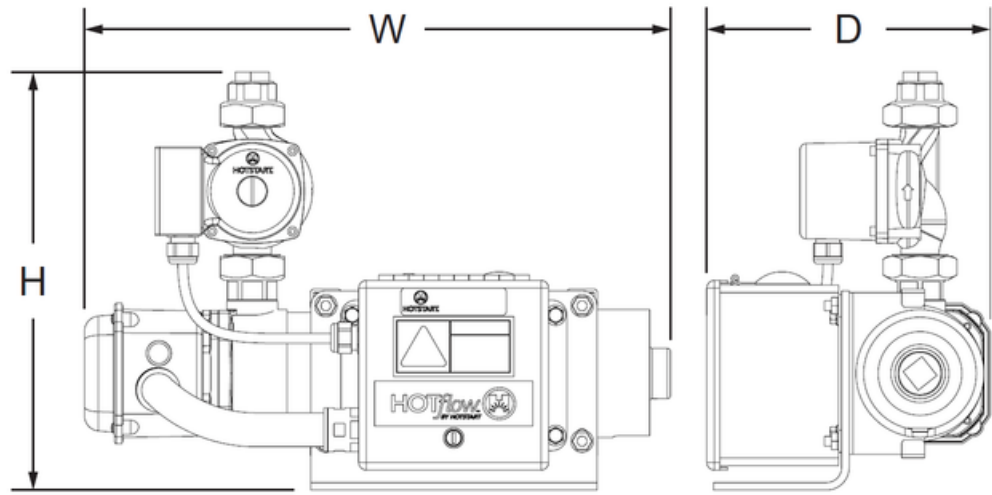
Forced circulation of the coolant delivers uniform heating throughout the entire engine, extends element life and offers a significant reduction in electrical consumption.

Specifications			
System		Coolant	
Phase	Single-phase (1 Ø); Three-phase (3 Ø)	Fluid Type	Water; coolant mix (50% water / 50% glycol)
Voltage (60 Hz)	120V; 208V; 240V; 440V; 480V; 575V	Heat Power	3 kW; 6 kW; 9 kW; 10.5 kW; 12 kW
Voltage (50 Hz)	230V; 400V	Temperature Control	Fixed, 100 – 120°F (38 – 49°C)
Control Box Ingress	NEMA 4/IP66	Pump Control	97 W (60 Hz) / 70 W (50 Hz)
Motor Ingress	NEMA 2 (UL-listed) / IP44 (CE-compliant)	Flow	10 gpm @ 10 ft WC (37.9 L/min @ 3 m WC)
Min./Max. Ambient Temperature	-4 – 104°F (-20 – 40°C)	Max. Pressure	125 psi (860 kPa)
Certification	UL/C-US listed models available (E250789) CE-compliant models available	Pressure Loss	0.2 psi (1.5 kPa)
		Inlet/Outlet	1" NPT

Features

- UL-C/US listed – (60 Hz models) – E250789CE
- CE compliant
- Controls for automatic operations
- Compact design
- Easy to install

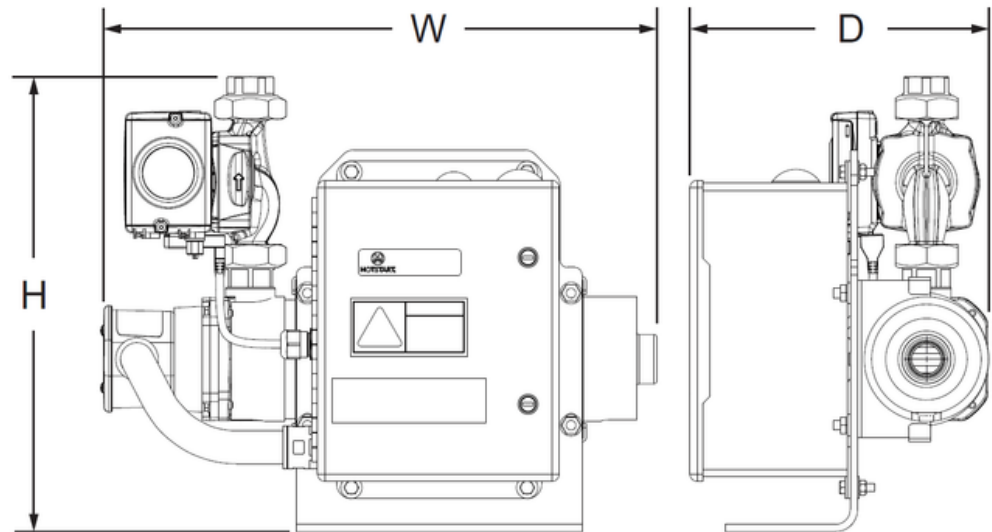
Type A



Height* (H)	Width (W)	Depth (D)	Weight
15.0"	19.4"	9.5"	37 lbs
383 mm	493 mm	242 mm	16.8 kg

* Height values are stated for flange connection pump. If union pump is installed, the height will decrease by approximately 1.5" / 38 mm.

Type B



Height* (H)	Width (W)	Depth (D)	Weight
17.0"	19.4"	9.5"	54 lbs
434 mm	493 mm	242 mm	24.5 kg

* Height values are stated for flange connection pump. If union pump is installed, the height will decrease by approximately 1.5" / 38 mm.